

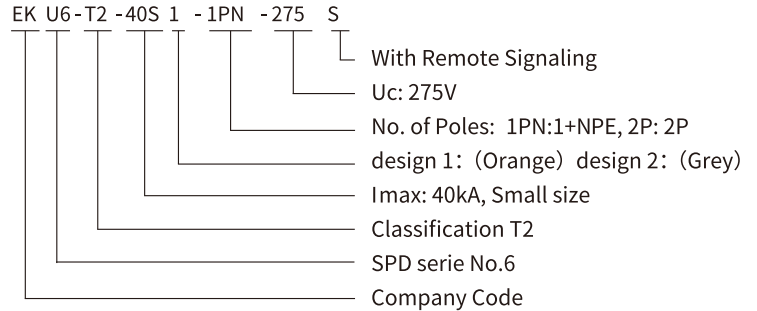


EKU6-T2-40S1



EKU6-T2-40S2

Product Selection Guide



SPD Type Reference List

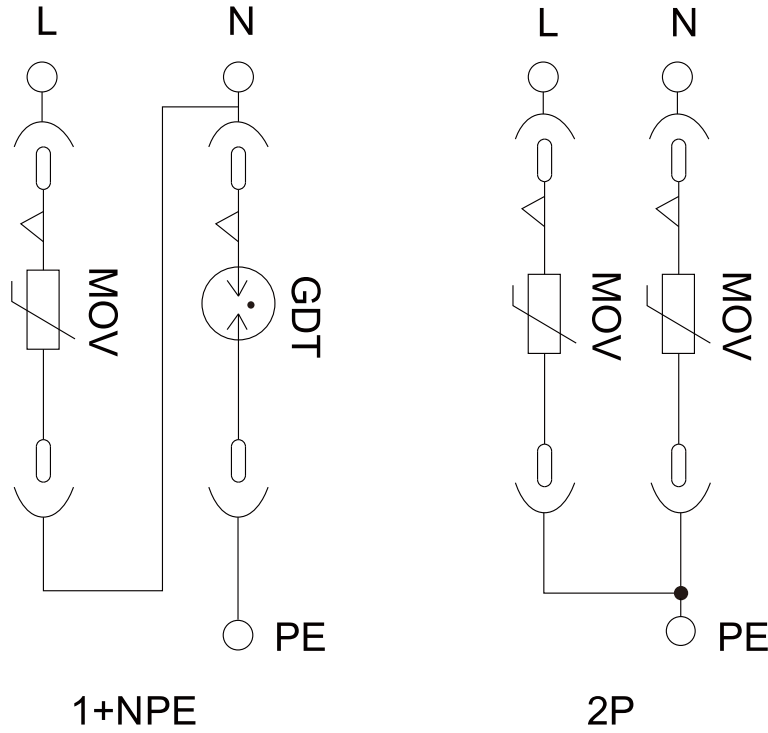
No. of Poles	Max. Continuous Operating AC Voltage
	275V
1+NPE	EKU6-T2-40S1-1PN275
2P	EKU6-T2-40S1-2P275
With Remote Signaling	
1+NPE	EKU6-T2-40S1-1PN275S
2P	EKU6-T2-40S1-2P275S

No. of Poles	Max. Continuous Operating AC Voltage
	275V
1+NPE	EKU6-T2-40S2-1PN275
2P	EKU6-T2-40S2-2P275
With Remote Signaling	
1+NPE	EKU6-T2-40S2-1PN275S
2P	EKU6-T2-40S2-2P275S

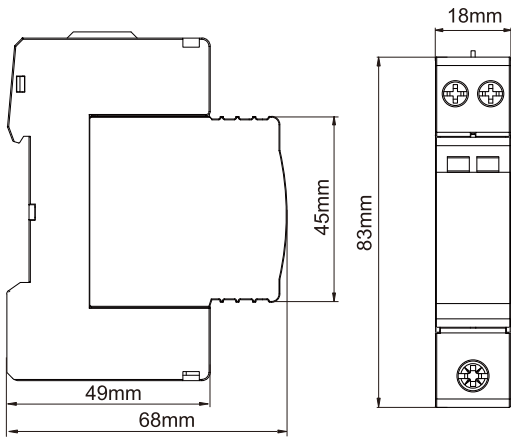
Technical Data

SPD classification according to IEC/EN61643-11		T2	T2
Model		EKU6-T2-40S1 (Orange)	EKU6-T2-40S2 (Grey)
Max. continuous operating a.c.voltage	Uc(L-N)	275V	275V
Max. continuous operating a.c.voltage	Uc(N-PE)	255V	255V
Norminal discharge current (8/20μs)	I _n	20kA	20kA
Maximum discharge current (8/20μs)	I _{max}	40kA	40kA
Voltage protection level	Up(L-N)	≤1.5kV	≤1.5kV
Voltage protection level 5kA	Up	≤1.0kV	≤1.0kV
Voltage protection level	Up(N-PE)	≤1.5kV	≤1.5kV
Max. backup fuse		125A gL	125A gL
Response time	tA(L-N)	≤25ns	≤25ns
Response time	tA(N-PE)	≤100ns	≤100ns
Operating temperature range	T _u	-40°C~80°C	-40°C~80°C
Operating State/Fault Indication		Green/Red	Green/Red
Cross-section area (Min.)		4mm ²	4mm ²
Cross-section area (Max.)		1+NPE: L,N:10mm ² , PE:16mm ²	1+NPE: L,N:10mm ² , PE:16mm ²
For mounting on		35mm Din rail	35mm Din rail
Enclosure material		Thermal Plastic UL94-V0	Thermal Plastic UL94-V0
Degree of Protection		IP20	IP20
No. of Poles		1+NPE, 2P	1+NPE, 2P

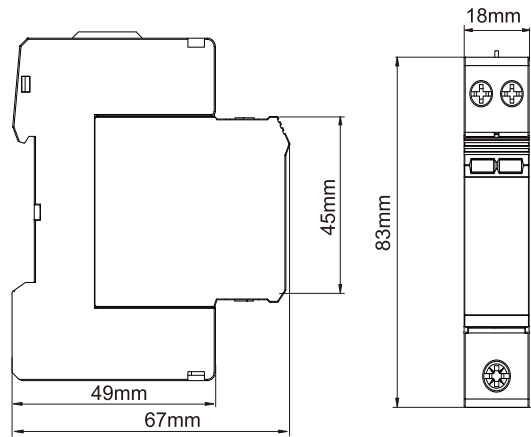
Schematic Diagram



Overall and Installation Dimension(mm)



EKU6-T2-40S1



EKU6-T2-40S2